

PROJECT TITLE

PROPOSED CONSTRUCTION OF SISTERS HOUSE TO BE
BUILT AT LITUMBANDYOSI PARISH RUVUMA REGION.

CLIENT

DIOCECE OF MBINGA
P.OBOX 94
PERAMIHO-RUVUMA
TANZANIA

ARCHITECTURAL DRAWINGS

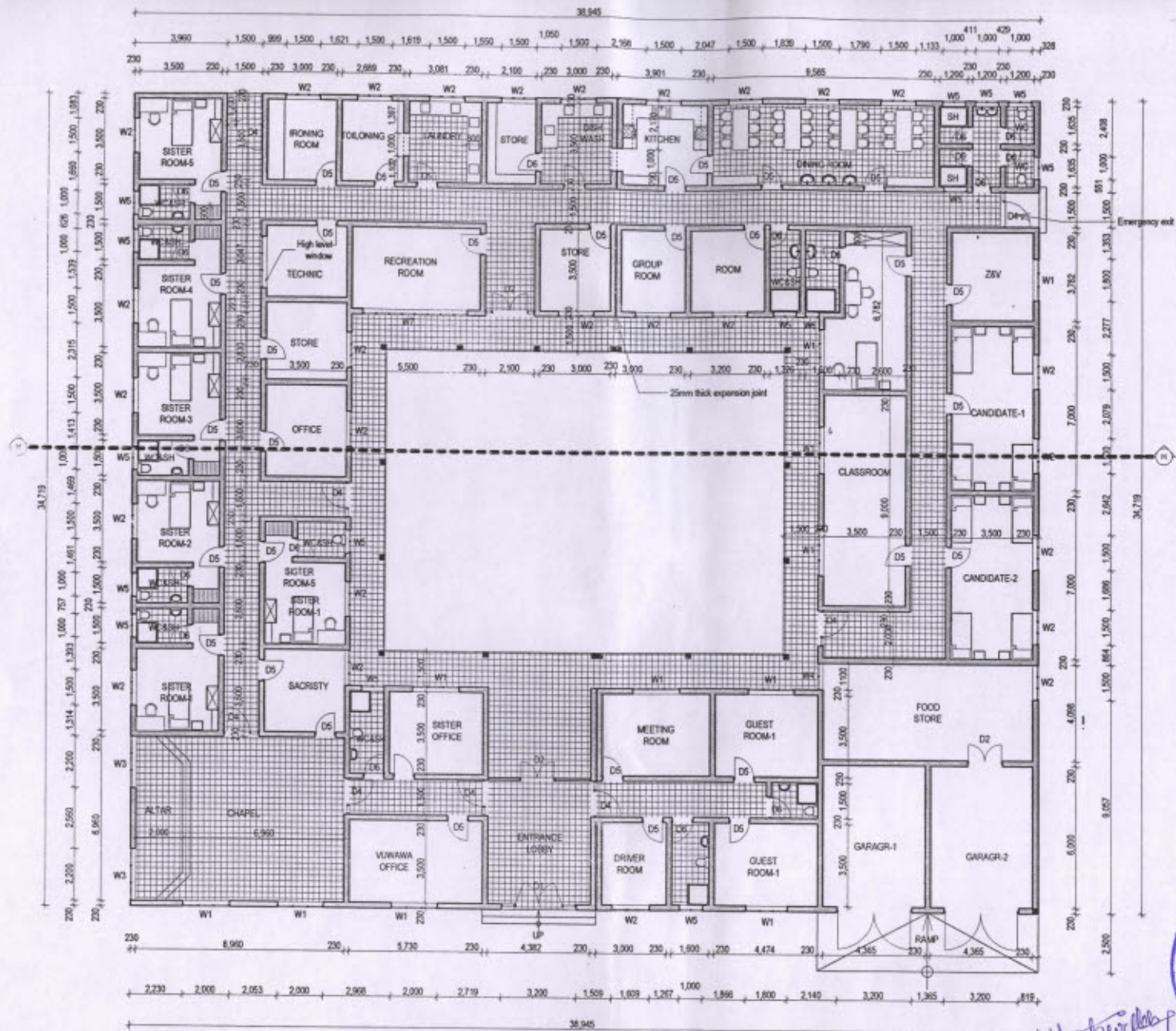
DRAWN AND DRAWN BY:

WILLY NKWERA

Email:eng.willynkwera@yahoo.com



DATE: JUNE, 2016

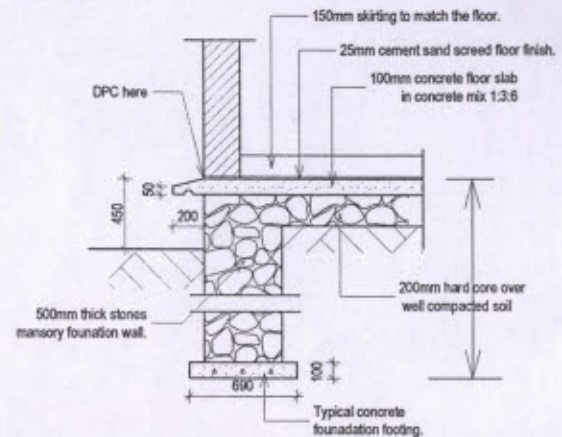


FLOOR PLAN
SCALE 1:100

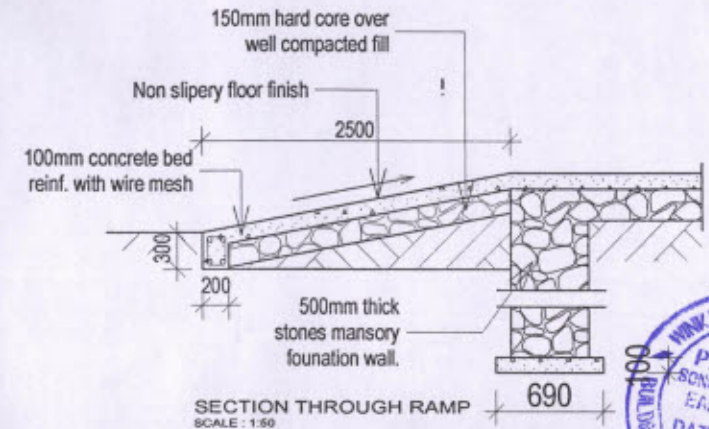
PROJECT: PROPOSED CONSTRUCTION OF SISTERS HOUSE TO BE BUILT AT LITUMBANDYOSI PARISH	CLIENT: DIOCESE OF MBINGA BOX 94 PERAMIHO-TANZANIA	REVISIONS		DESIGNED AND DRAWN BY:	DRAWING NO. 01
		DATE		WILLY NKWERA	DATE: JUNE 2016
		REV. BY		Email: willynkwera@yahoo.com	SCALE: 1:100
				FLOOR PLAN	



SECTION M-M
SCALE 1:50



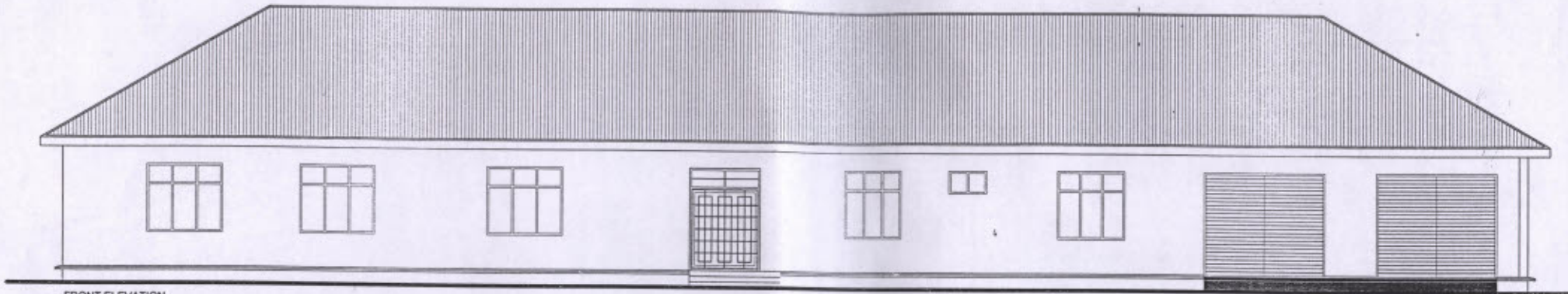
Detail at A
SCALE 1:50



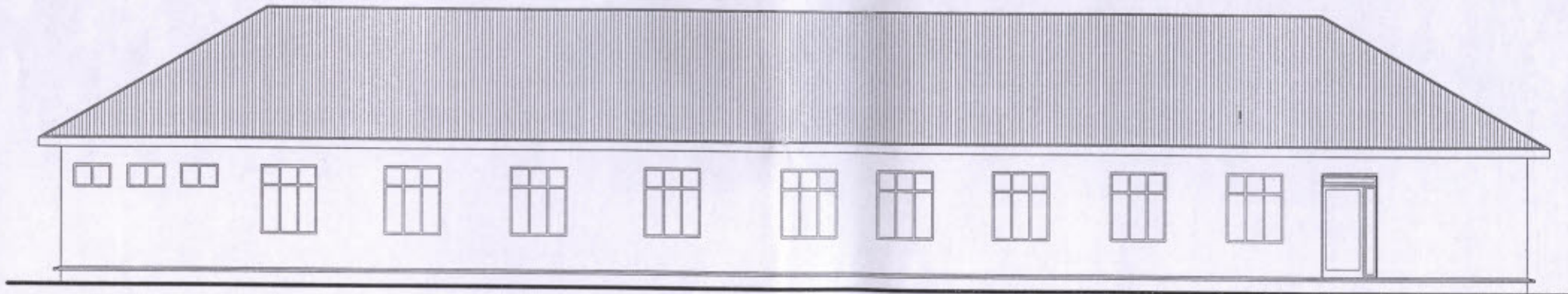
SECTION THROUGH RAMP
SCALE 1:50



PROJECT: PROPOSED CONSTRUCTION OF SISTERS HOUSE TO BE BUILT AT LITUMBANDYOSI PARISH	CLIENT: DIOCESE OF MBINGA BOX 94 PERAMIHO-TANZANIA	REVISIONS		DESIGNED AND DRAWN BY: WILLY NKWERA Email:eng.willynkwera@yahoo.com	DRAWING NO: 01
		DATE		DATE: JUNE 2016	SCALE: 1:100
		REV. BY		SECTION	



FRONT ELEVATION
SCALE 1:100



REAR ELEVATION
SCALE 1:100

PROJECT:
PROPOSED CONSTRUCTION OF SISTERS HOUSE
TO BE BUILT AT LITUMBANDYOSI PARISH

CLIENT:
DIOCESE OF MBINGA
BOX 94
PERAMIHO-TANZANIA

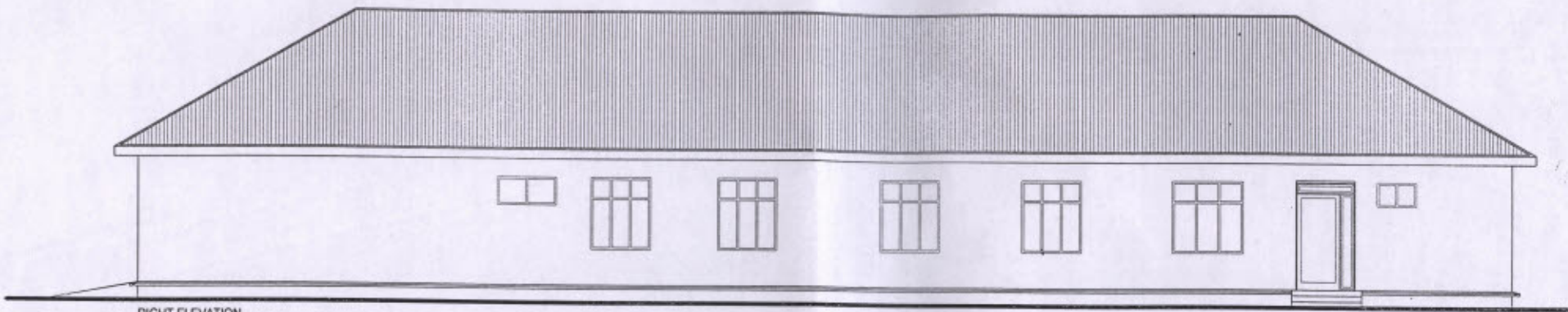
REVISIONS	
DATE	
REV. BY	



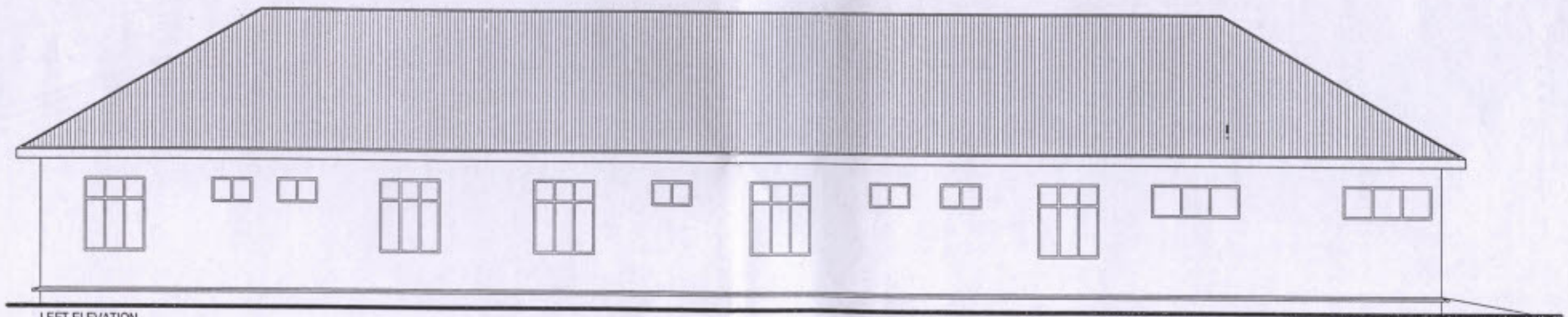
Willy Nkwera

DESIGNED AND DRAWN BY: DRAWING NO: 01
WILLY NKWERE DATE: JUNE 2016
Email: eng_willynkwerera@yahoo.com SCALE: 1:100

ELEVATIONS



RIGHT ELEVATION
SCALE 1:100



LEFT ELEVATION
SCALE 1:100

PROJECT:
PROPOSED CONSTRUCTION OF SISTERS HOUSE
TO BE BUILT AT LITUMBANDYOSI PARISH

CLIENT:
DIOCESE OF MBINGA
BOX 94
PERAMIHO-TANZANIA

REVISIONS

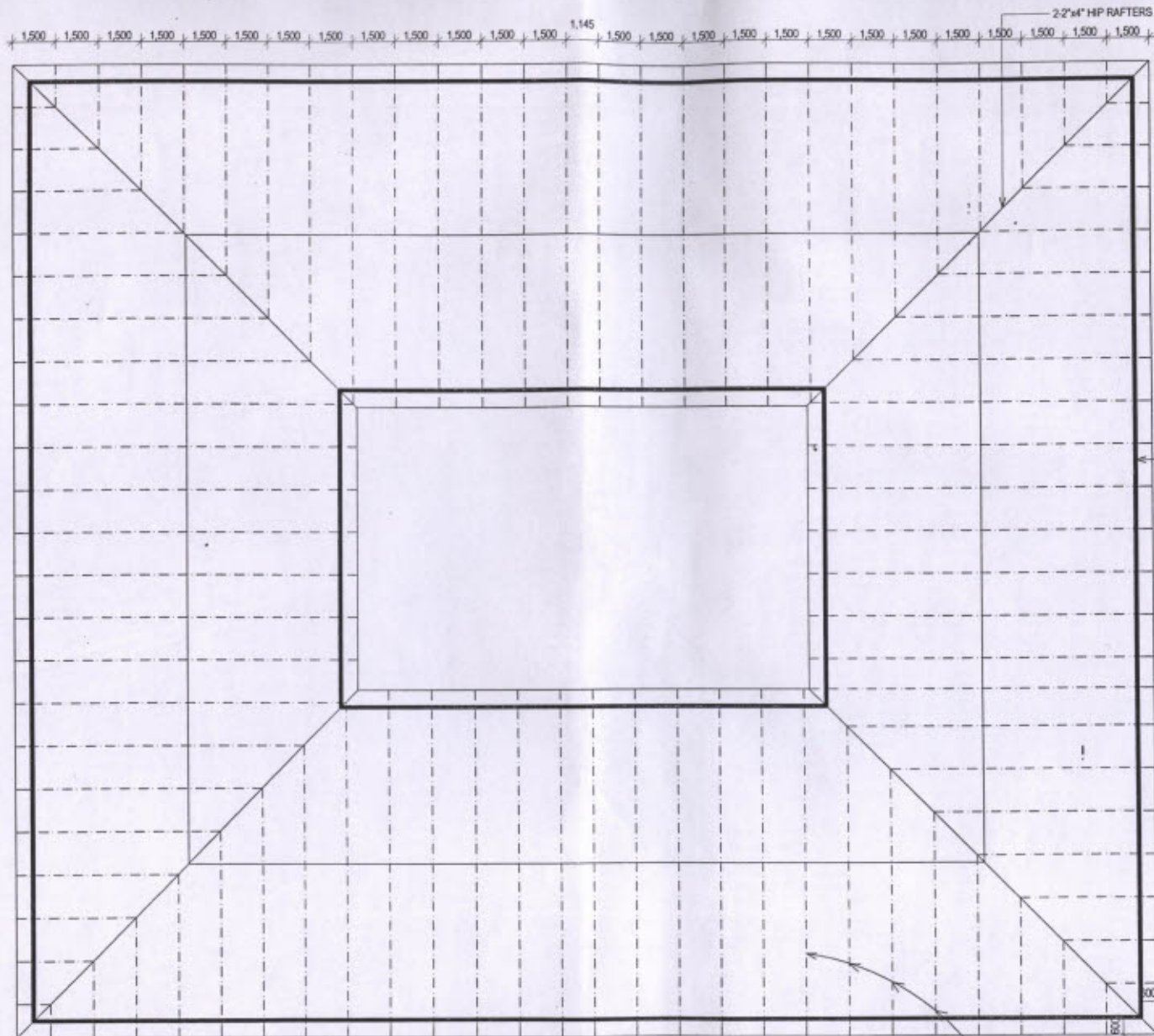
DATE	REVISIONS
REV. BY	



DESIGNED AND DRAWN BY: WILLY NKWERA
Email: willynkwera@yahoo.com

DRAWING NO. 01
DATE: JUNE 2016
SCALE: 1:100

ELEVATIONS



ROOF FRAMING PLAN
SCALE 1:100

TRUSSES AT
1500MM C/C MAX

EDGE OF WALL
BEAM BELOW

PROJECT:
PROPOSED CONSTRUCTION OF SISTERS HOUSE
TO BE BUILT AT LITUMBANDYOSI PARISH

CLIENT:
DIOCESE OF MBINGA
BOX 94
PERAMIHO-TANZANIA

REVISIONS	
DATE	
REV. BY	



DESIGNED AND DRAWN BY: WILLY NKWERERA
Email: eng.willynkwerera@yahoo.com
DRAWING NO: 01
DATE: JUNE 2016
SCALE: 1:100

ROOF PLAN

Willy Nkwera

DOOR & WINDOW SCHEDULE

DOOR/WINDOW TYPE	D1	D2	D3	D4	D5	W1	W2	W3	W4	W5	W6	W7	
STRUCTURAL OPENING	WIDTH	2000	900	1200	900	800	1800	1500	2200	1100	1000	600	4500
	HEIGHT	2700	2700	2700	2700	2700	1800	1800	800	1800	600	600	1800
HEIGHT ABOVE FLOOR LEVEL		-	-	-	-	900	900	1900	900	2100	2100	900	
QT	1	2	6	34	16	10	27	2	1	14	1	1	
LOCATION	Main entry	Main store/entry to courtyard	Entry	Bedroom/Dining/kitchen	Toilets	Chapel/bedroom/office	Bedroom	Chapel	Main store	Toilets/too	Toilet	Recreation room	
COMMENTS	Metal grill door	H/w panel door	H/w panel door	H/w panel door	Flush door	Hard wood casement windows	Hard wood casement windows	Hard wood casement windows	Hard wood casement windows	Hard wood casement windows	Hard wood casement windows	Hard wood casement windows	

PROJECT:
PROPOSED CONSTRUCTION OF SISTERS HOUSE
TO BE BUILT AT LITUMBANDYOSI PARISH

CLIENT:
DIOCESE OF MBINGA
BOX 94
PERAMIHO-TANZANIA

REVISIONS

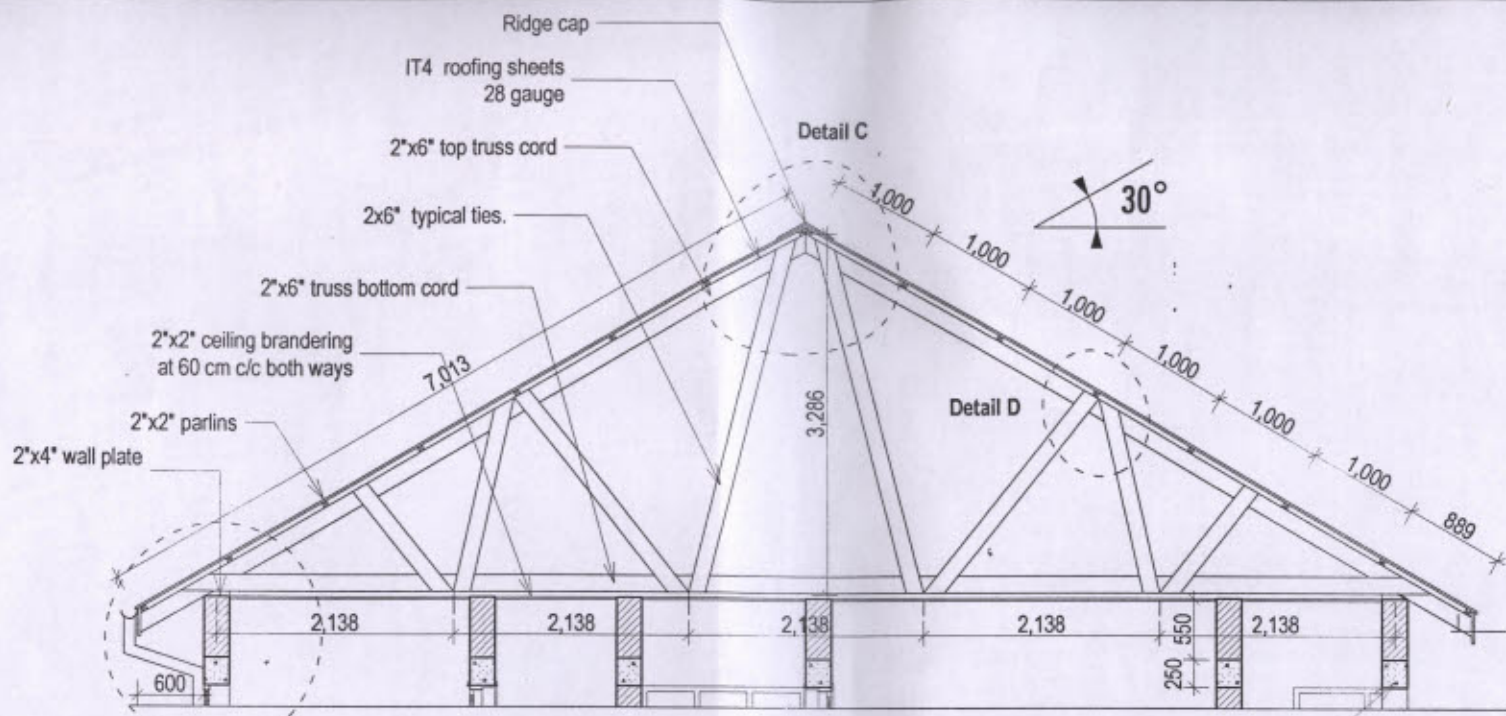
DATE

REV. BY



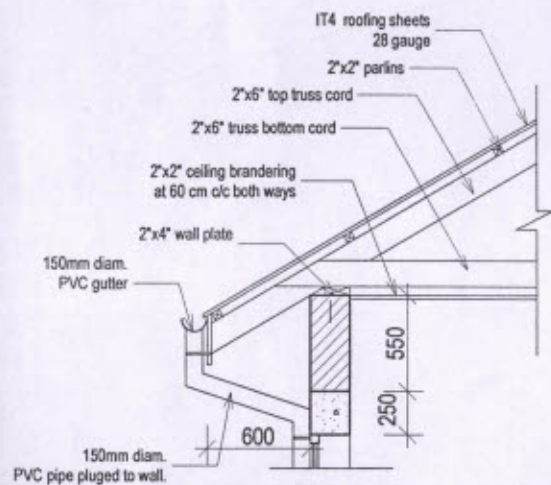
DESIGNED AND DRAWN BY: WILLY NKWERIA
DATE: JUNE 2016
Email: eng.willynkweria@yahoo.com
SCALE: 1:100

DOORS AND WINDOW SCHEDULE

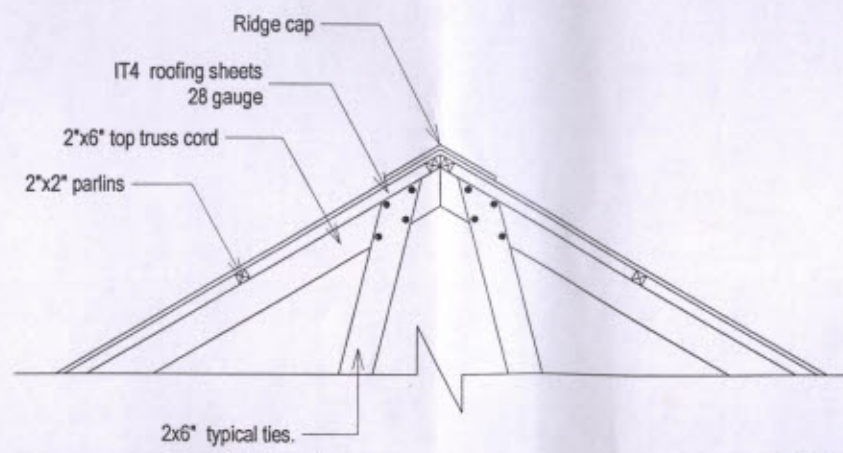


Detail B

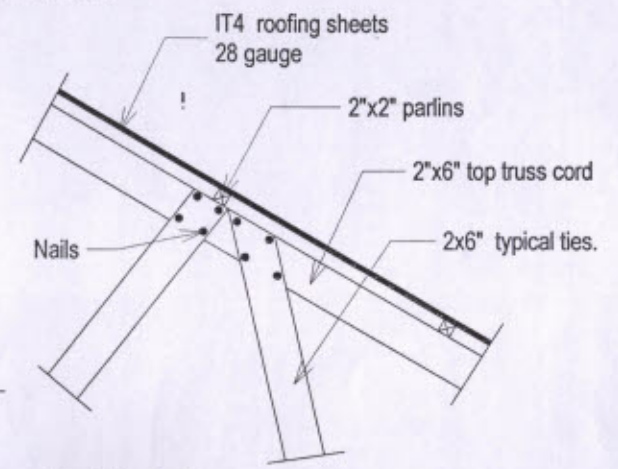
ROOF TRUSS DETAILS
SCALE: 100



Detail B



Detail at C
SCALE 1:50



Detail at C
SCALE 1:50

PROJECT:
PROPOSED CONSTRUCTION OF SISTERS HOUSE
TO BE BUILT AT LITUMBANDYOSI PARISH

CLIENT:
DIOCESE OF MBINGA
BOX 94
PERAMIHO-TANZANIA

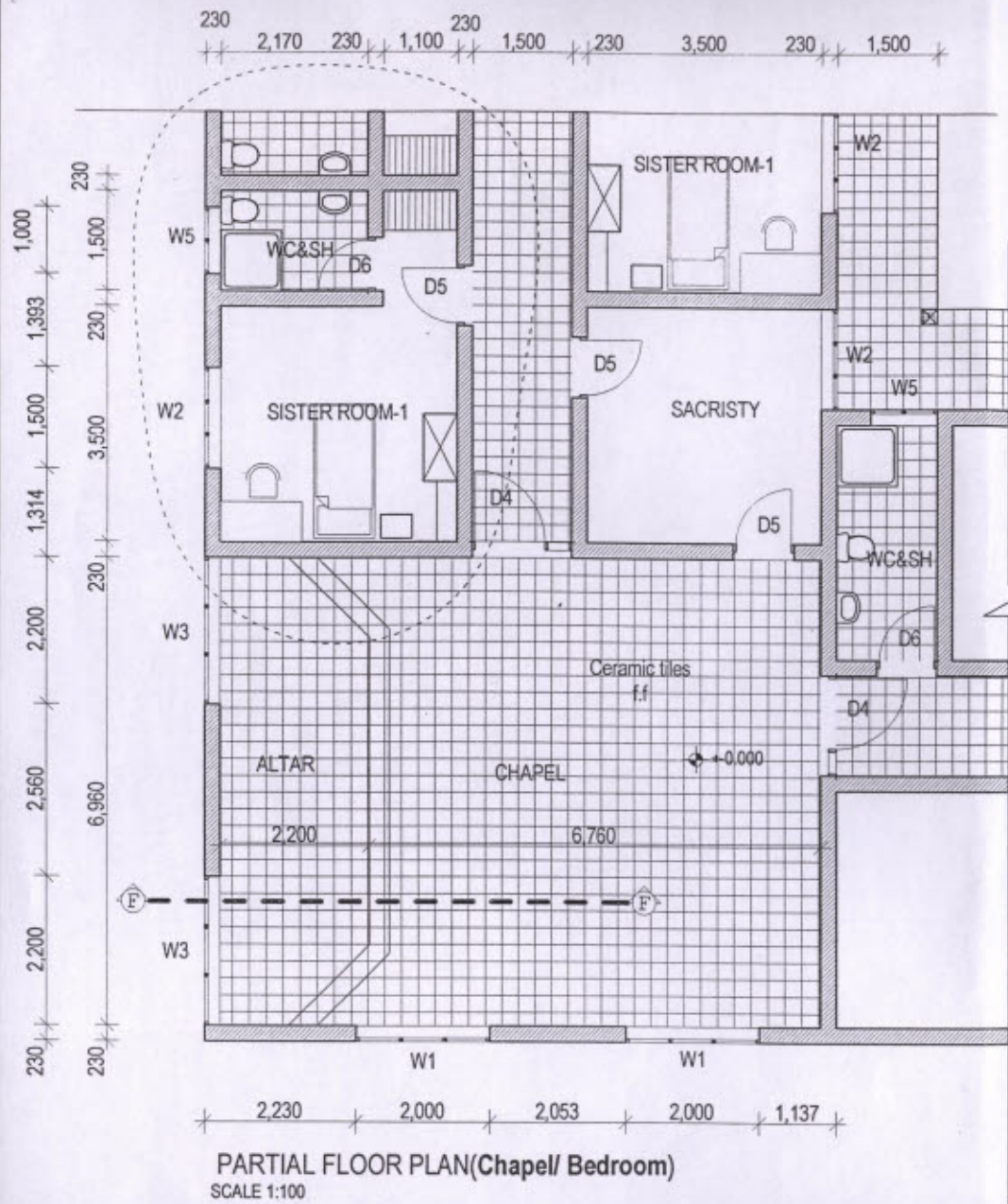
REVISIONS	
DATE	
REV. BY	



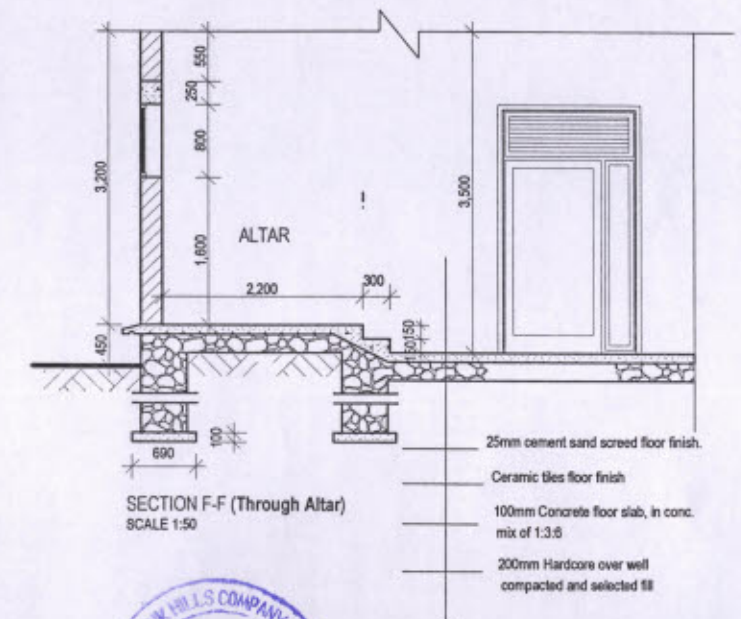
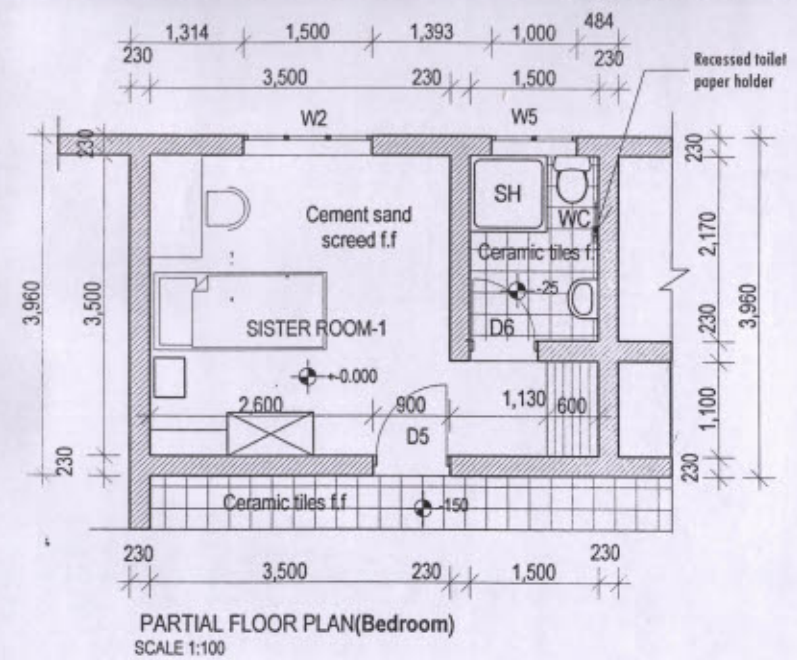
DESIGNED AND DRAWN BY:
WILLY NKWERA
Email: eng.willynkwera@yahoo.com

DRAWING NO: 01
DATE: JUNE 2016
SCALE: 1:100

TRUSS DETAILS



10.689



PROJECT:
PROPOSED CONSTRUCTION OF SISTERS HOUSE
TO BE BUILT AT LITUMBANDYOSI PARISH

CLIENT:
DIOCESE OF MBINGA
BOX 94
PERAMIHO-TANZANIA

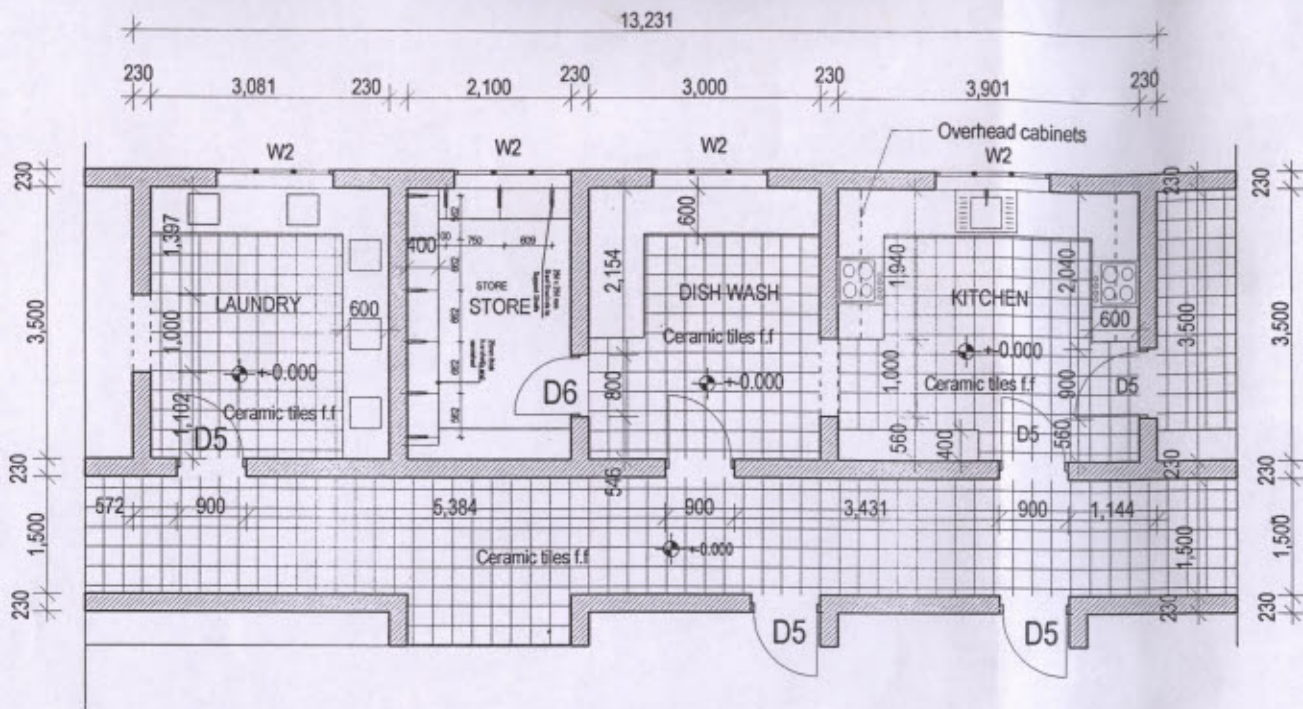
REVISIONS	
DATE	
REV. BY	



DESIGNED AND DRAWN BY:
WILLY NKWERE
Email: eng. willynkwere@yahoo.com

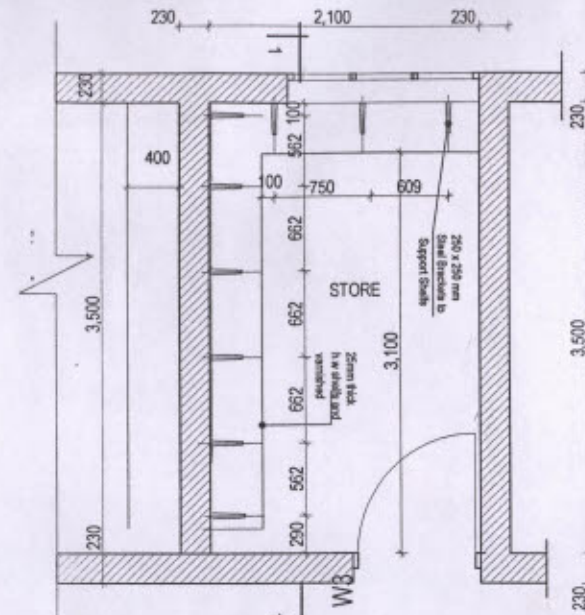
DRAWING NO: 01
DATE: JUNE 2016
SCALE: 1:100

PARTIAL FLOOR PLAN

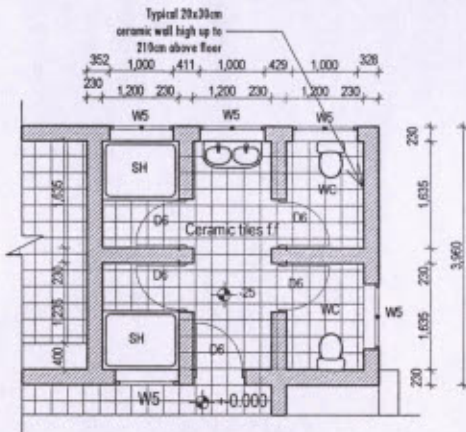


PARTIAL FLOOR PLAN(Kitchen/Laundry/Store/Dishwash)

SCALE 1:100

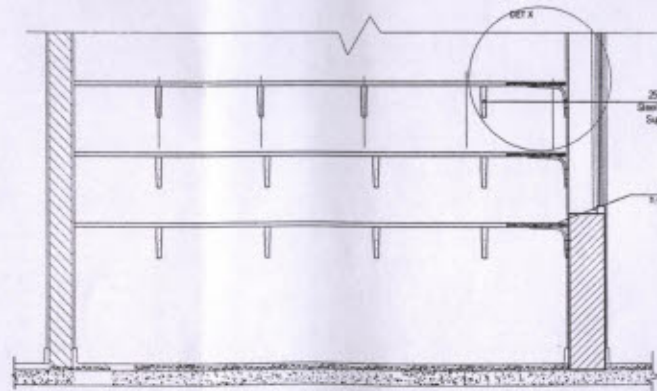


DAILY STORE SHELVES

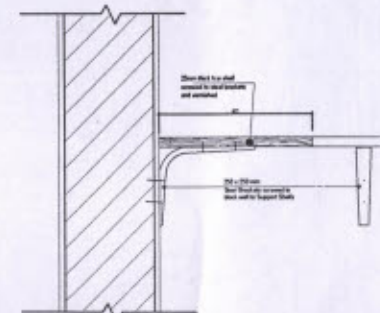


PARTIAL FLOOR PLAN

SCALE 1:100



SECTION 1 - 1



DETAIL X
SCALE 1:1

PROJECT:
PROPOSED CONSTRUCTION OF SISTERS HOUSE
TO BE BUILT AT LITUMBANDYOSI PARISH

CLIENT:
DIOCESE OF MBINGA
BOX 94
PERAMIHO-TANZANIA

REVISIONS	
DATE	
REV. BY	



DESIGNED AND DRAWN BY:
WILLY NKWERA
Email: eng.willynkwera@yahoo.com

DATE: JANUARY 2016
SCALE: 1:100

ELEVATIONS